

INSTALLATION INSTRUCTIONS FOR TASMAN INSTRUMENTS V1000 VARIOMETER SYSTEM.



www.tasmaninstruments.com.au

EMAIL: info@tasmaninstruments.com.au

With reference to the connection diagram overleaf.

All connections are made with telephone type crimp on plugs. All the necessary components are supplied with the instrument, but cables can be fabricated using the diagram as a guide, or contact Tasman Instruments for replacements or for special requirements.

Mechanical assembly

Fit the Variometer in an available 57mm. cutout. The adaptor plate, **PA325** is available from Tasman Instruments where an 80mm. cutout must be utilised.

- **CAUTION:**

The Variometer threaded mounting holes have a maximum insertion depth of 7mm. Use only M3x8 pan head screws as supplied. Tasman Instruments will provide replacement screws free of charge.

- Note: This instrument contains a loudspeaker with a magnet. Check the effect on the compass when choosing a panel mount position.

Tubing connections

It is recommended that for the best performance of your Tasman Instruments V1000 Variometer:

1. Connect the V1000 Variometer first in the line to the TE. Probe.
2. If the above is not practical, ensure no restrictors and capacities are in the line before the V1000 Variometer.

With the 6.4mm dia tubing used in most sailplane plumbing, more than enough air flow is available to supply the V1000 Variometer and a mechanical display.

NOTE: As the V1000 does not require any "flow" of air from the TE. Probe, it will have no effect on any instrument that uses a capacity.

Electrical connections

All power and external speaker connections are made with 4 way cable and connectors. The remote display uses 6 way cable and connectors. The battery pack has 4 way and 6 wide 4 way connectors.

Install the cables in the glider as required noting the position of the suppression filters which are labeled as shown in the diagram. Connect the power wires to fused (min. 0.5Amp, max. 3 Amp.) reliable battery source.

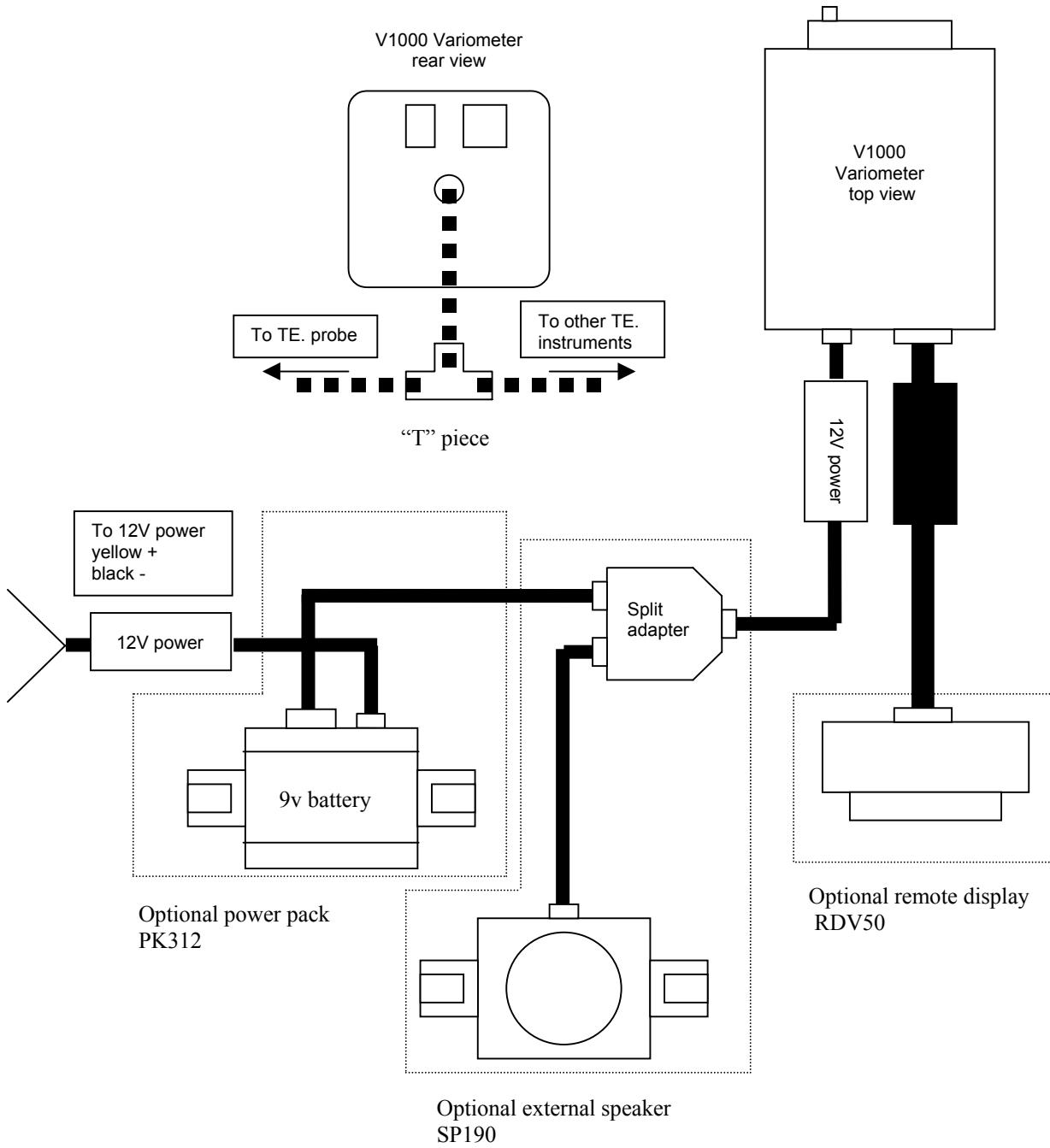
Note: the instrument is polarity protected but it may blow an external fuse if reversed connected.

Remove the blank plug and Connect the **RDV50** remote display.

Caution: Inserting a live power lead into the remote display connector may seriously damage the variometer.

Thank you for purchasing your Tasman Instruments Variometer.

Connections for Tasman Instruments V1000 Variometer system



General cable configuration

